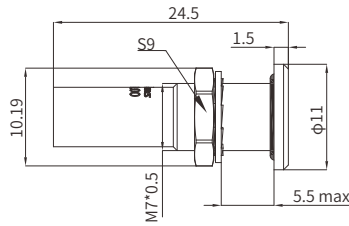


■ HWR Fixed Coupler, Nut Fixing, Vacuumtight

- Connector series: HWR
- Contact: Female-Female
- Locking type: Self-locking
- Orientation type: Straight
- Part No.: HWR.00.250.NTMV
- Mated with: PSA/PSC/PMS/PAS/PAV



■ General Information

Ambient temperature:	-55°C ~ + 260°C
Endurance:	>5000 cycles
Insulator:	PTFE
Connector contacts:	Brass with gold plated
Housing:	Brass with nickel plated
Impedance:	50Ω
Operating Voltage:	0.7k V

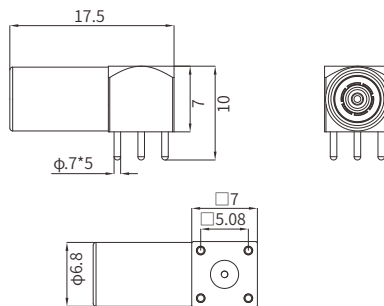
Rated current:	4A
Insulator resistance:	≥100MΩ
VSWR:	1.09+0.11*f/GHz
IP rating:	IP 50
Shielding efficiency:	at 10MHz>75dB/at 1GHz>40dB
Salt spray corrosion test:	>144h

Part number	Weight(g)
HWR.00.250.NTMV	5.2

Note: this model is sealed with o-ring(no epoxy) Panelcut-out (page 171)

■ FAP Elbow Socket(90°) For Printing Circuit

- Connector series: FAP
 - Contact: Female print PCB
 - Locking type: Self-locking
 - Orientation type: Angled
 - Part No.: FAP.00.250.NTN
 - Mated with: PSA/PSC/PMS/PAS/PAV
- note: "X" refers to part number definition



■ General Information

Ambient temperature:	-55°C ~ + 260°C
Endurance:	>5000 cycles
Insulator:	PTFE
Connector contacts:	Brass with gold plated
Housing:	Brass with nickel plated
Impedance:	50Ω
Operating Voltage:	0.7k V

Rated current:	4A
Insulator resistance:	≥100MΩ
VSWR:	1.09+0.11*f/GHz
IP rating:	IP 50
Shielding efficiency:	at 10MHz>75dB/at 1GHz>40dB
Salt spray corrosion test:	>144h

Part number	Weight(g)
FAP.00.250.NTN	4.3

PCB drilling pattern (page 171)